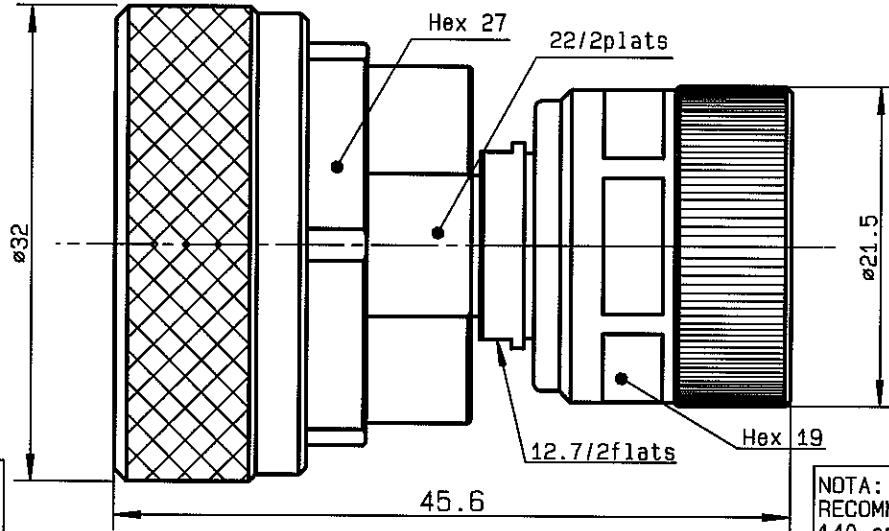


ADAPTOR PC7 - 7-16 MALE

R191.096.000

SERIES

ADAPT



NOTA:
RECOMMENDED TORQUES:
3000 cm.N for 7-16

NOTA:
RECOMMENDED TORQUES:
140 cm.N for PC7

NOMINAL IMPEDANCE	50 Ω
FREQUENCY RANGE	0-12.5 GHz
TEMPERATURE RATING	+13/+33 °C
V.S.W.R	1.15 + 0 x F(GHz)Maxi
RF INSERTION LOSS	0.15 √F(GHz) dB Maxi
VOLTAGE RATING	1400 Veff Maxi
DIELECTRIC WITHSTANDING VOLTAGE	2500 Veff Mini
INSULATION RESISTANCE	5000 MΩMini
HERMETIC SEAL	NA Atm.cm ³ /s
LEAKAGE (pressurized only)	NA
MECHANICAL DURABILITY	500 Cycles
WEIGHT	113.5 gr
SPECIFICATION	

CABLES :

OTHERS CHARACTERISTICS

ROS (V.S.W.R)	1.15 max	-> 8.5 - 12.5 GHz
CABLE RETENTION		N Mini
CENTER CONTACT RETENTION		
Axial force - mating end	120	N Mini
Axial force - opposite end	120	N Mini
Torque	NA	cm.N Mini
RECOMMENDED TORQUES		
Mating	130	cm.N
Panel nut	NA	cm.N
Clamp nut	NA	cm.N

CONNECTOR PARTS	MATERIALS	FINISH	(all values are given) in micrometers
BODY	BRASS, STAINLESS STEEL	SILVER, GOLD	
OUTER CONTACT			
CENTER CONTACT	BERYLLIUM COPPER, BRASS	SILVER, GOLD	
INSULATOR	PTFE, ULTEM	-	
GASKET	SILICONE RUBBER	-	
OTHERS PIECES	BRASS	BBR 2	

ZANETTE

ISSUE	CREATION DATE	FILE PART-NUMBER
0243C00	11/12/1998	97-0105-194



RADIALL®

The information given here is subject to change without notice.
Design changes may be in order to improve the product .

Connect to the future